

Please check the examination details below before entering your candidate information

Candidate surname

Other names

Centre Number

Candidate Number

Pearson Edexcel Level 1/Level 2 GCSE (9–1)

Monday 19 June 2023

Morning (Time: 1 hour 45 minutes)

Paper
reference

1DT0/1D

Design and Technology
COMPONENT 1: Systems

You must have:

calculator, ruler, HB pencil, protractor, pair of compasses

Total Marks

Instructions

- Use **black** ink or ball-point pen.
- **Fill in the boxes** at the top of this page with your name, centre number and candidate number.
- Answer **all** questions.
- Answer the questions in the spaces provided
– *there may be more space than you need.*
- Calculators may be used.
- Any diagrams may NOT be accurately drawn, unless otherwise indicated.
- You must **show all your working out** with **your answer clearly identified** at the **end of your solution**.

Information

- The total mark for this paper is 100.
- The marks for **each** question are shown in brackets
– *use this as a guide as to how much time to spend on each question.*

Advice

- Read each question carefully before you start to answer it.
- Try to answer every question.
- Check your answers if you have time at the end.

Turn over ►

P71590A

©2023 Pearson Education Ltd.
N:1/1/1/1/1




Pearson

SECTION A

Core

Answer ALL questions. Write your answers in the spaces provided.

- 1 (a) The materials that products are made from are chosen because of their properties.

Figure 1 shows a table of products.

For each of the products shown, give a property of the material it is made from that makes the material suitable for the product.

The first one has been done for you.


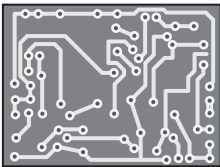
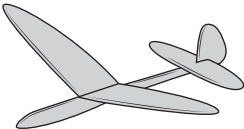

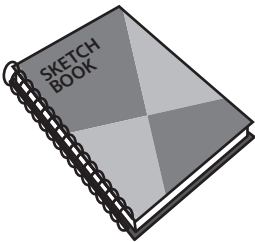
| Picture of product | Material and product | Property |
|---|---|--------------------|
|  | Cotton T-shirt | Soft |
|  | Polyester resin printed circuit board (PCB) | (1) (i) |
|  | Balsa wood toy plane | (1) (ii) |
|  | Stainless steel kitchen scissors | (1) (iii) |
|  | Solid white board hardback book cover | (1) (iv) |

Figure 1

DO NOT WRITE IN THIS AREA

DO NOT WRITE IN THIS AREA

DO NOT WRITE IN THIS AREA



A printing company wants to use a new and emerging technology. It operates as a privately-owned business.

- (b) (i) Explain **one** advantage for the company of operating as a privately-owned business.

(2)

.....

.....

.....

.....

The printing company has invested £150,000 of its own money to buy new and emerging technology but wants to raise an additional 30% by crowdfunding.

- (ii) Calculate how much additional money it will raise by crowdfunding.

(2)

Answer £

(Total for Question 1 = 8 marks)



2 Figure 2 shows a concrete candle holder.

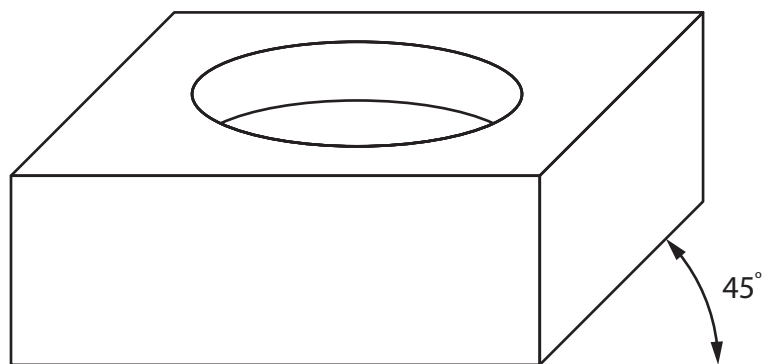


Figure 2

(a) Name the drawing method that has been used to show the concrete candle holder in Figure 2.

(1)

(b) Explain **one** reason for using concrete for the candle holder.

(2)

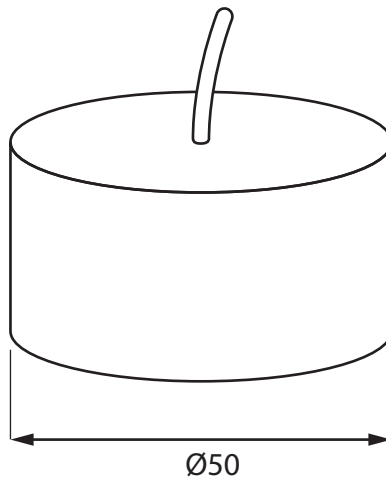


DO NOT WRITE IN THIS AREA

DO NOT WRITE IN THIS AREA

DO NOT WRITE IN THIS AREA

Figure 3 shows a standardised size of candle.



All dimensions in mm

Ø – diameter

Figure 3

(c) Explain **one** reason for manufacturing the concrete candle holder to hold a standardised size of candle.

(2)

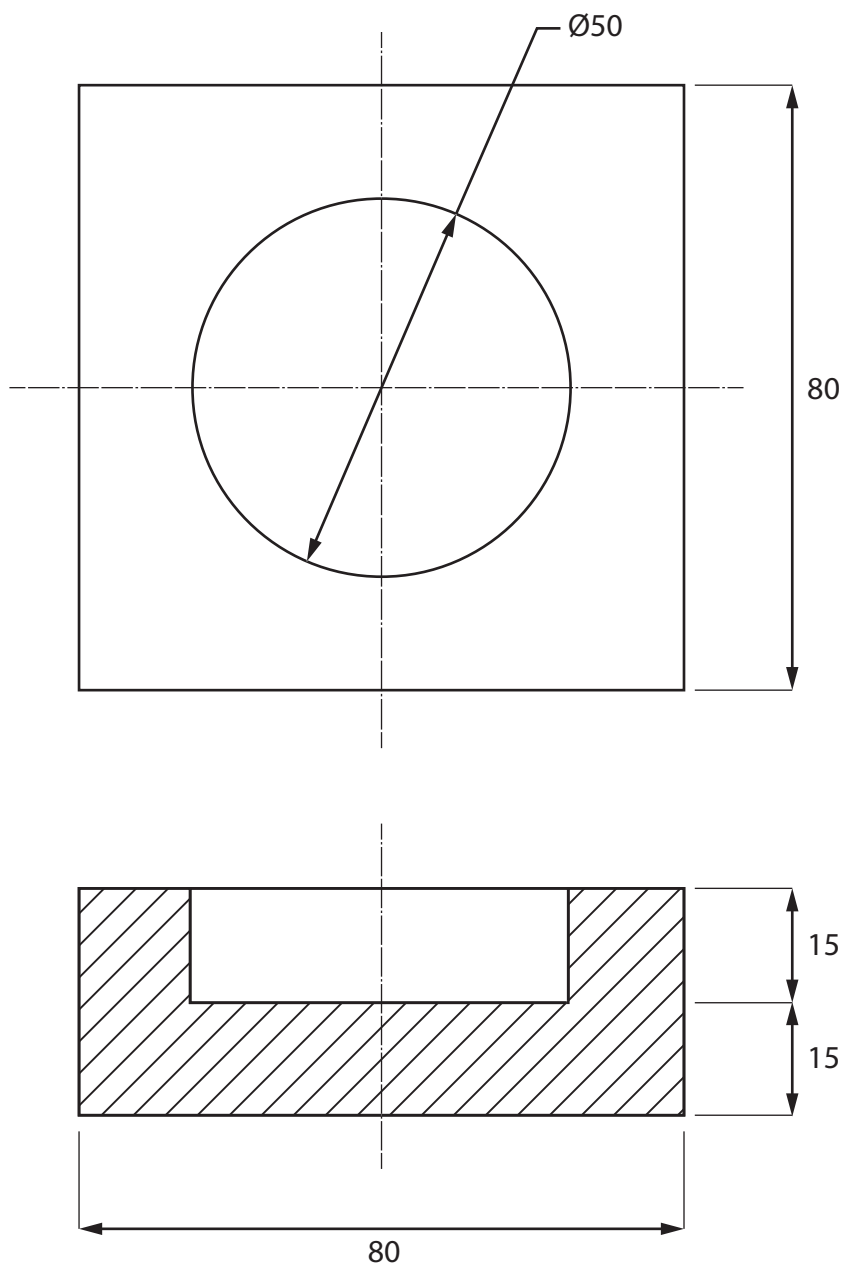
.....

.....

.....



Figure 4 shows a dimensioned drawing of the concrete candle holder.



All dimensions in mm

Volume of cylinder = $\pi \times r^2 \times h$

Use $\pi = 3.142$

Figure 4

DO NOT WRITE IN THIS AREA

DO NOT WRITE IN THIS AREA

DO NOT WRITE IN THIS AREA



DO NOT WRITE IN THIS AREA

DO NOT WRITE IN THIS AREA

DO NOT WRITE IN THIS AREA

(d) Calculate the volume of concrete required to make the candle holder.

Give your answer in cm^3 to the nearest whole cm^3 .

(4)

Answer cm^3

(Total for Question 2 = 9 marks)



3 Figure 5 shows a vegetable growing frame that is manufactured from a softwood.

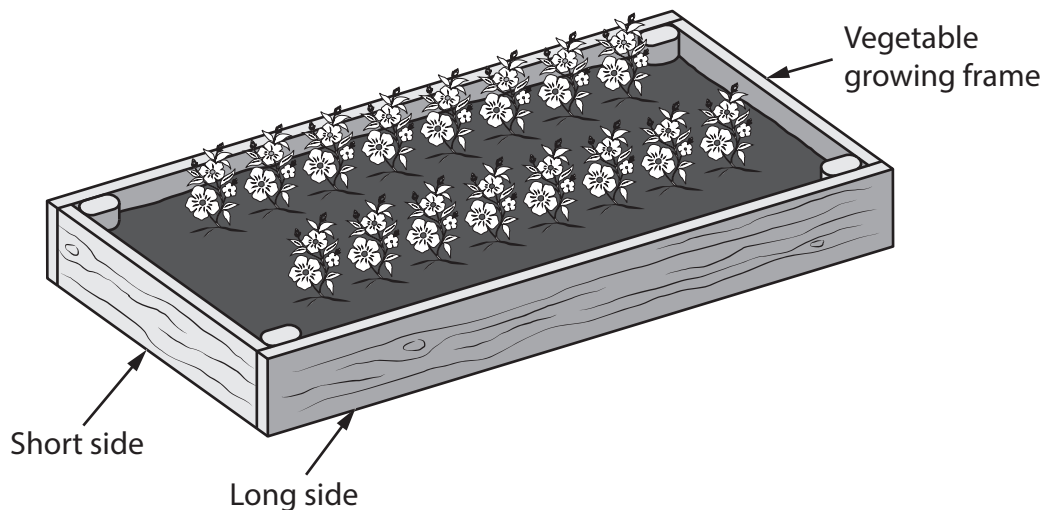


Figure 5

(a) Name **one** softwood that can be used to manufacture the vegetable growing frame.

(1)

(b) Explain **one** reason for manufacturing the vegetable growing frame from a softwood rather than a hardwood.

(2)

The original length of timber that is used to make the frame is 300 cm.

The combined length of one short side and one long side of the frame is 270 cm.

(c) Calculate how much timber is left when a short side and a long side have been cut to size, giving your answer as a fraction of the original length of timber.

Ignore the width of any saw cuts.

(2)

Answer



Figure 6 shows a mild steel fixing that has been used to join the vegetable growing frame together at the corners.

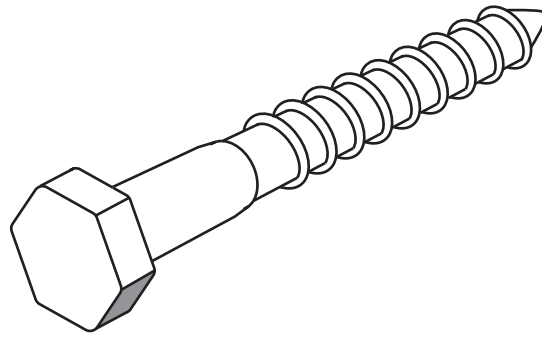


Figure 6

(d) Explain **one** disadvantage of using mild steel for the fixing.

(2)

.....
.....
.....

The vegetable growing frame is delivered in a box manufactured from corrugated board.

(e) Explain **two** benefits of using corrugated board to manufacture the box.

(4)

1
.....
.....
2
.....
.....

(Total for Question 3 = 11 marks)



4 Figure 7 shows a polyester laptop bag.



Figure 7

(a) Explain **one** working property of polyester that makes it an appropriate choice of material to make the laptop bag.

(2)

.....

.....

.....

.....

(b) The material for the laptop bag is 60% new polyester and the rest is recycled polyester.

The laptop bag requires 320 grams of polyester in total.

Calculate how many grams of recycled polyester are required for the laptop bag.

(2)

Answer grams



DO NOT WRITE IN THIS AREA

DO NOT WRITE IN THIS AREA

DO NOT WRITE IN THIS AREA

The manufacturer carries out a life cycle analysis (LCA) to help reduce the environmental impact of the laptop bag.

- (c) Explain **one** outcome of an LCA that can help to reduce the environmental impact of the laptop bag.

(2)

.....

.....

.....

.....

- (d) Discuss how the features of modern laptops have contributed to remote working.

(6)

.....

.....

.....

.....

.....

.....

.....

.....

.....

.....

.....

.....

.....

.....

.....

.....

.....

.....

.....

.....

.....

.....

.....

.....

.....

.....



DO NOT WRITE IN THIS AREA

DO NOT WRITE IN THIS AREA

DO NOT WRITE IN THIS AREA

(Total for Question 4 = 12 marks)

TOTAL FOR SECTION A = 40 MARKS



DO NOT WRITE IN THIS AREA

DO NOT WRITE IN THIS AREA

DO NOT WRITE IN THIS AREA

BLANK PAGE
SECTION B BEGINS ON THE NEXT PAGE.

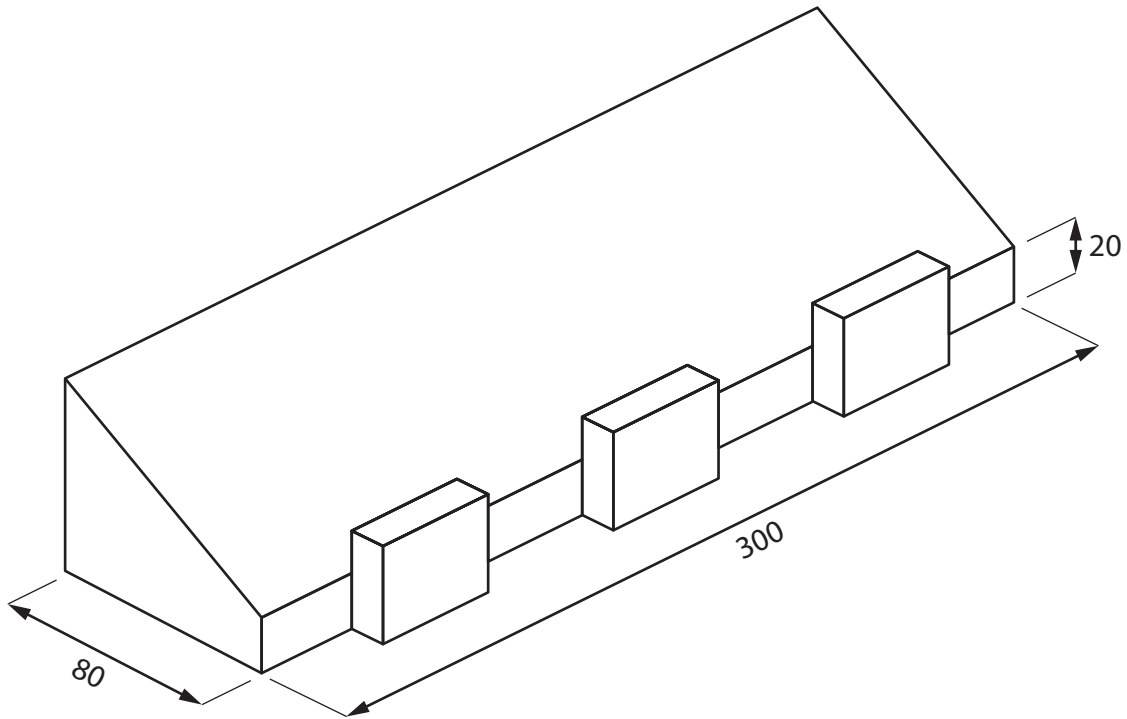


SECTION B

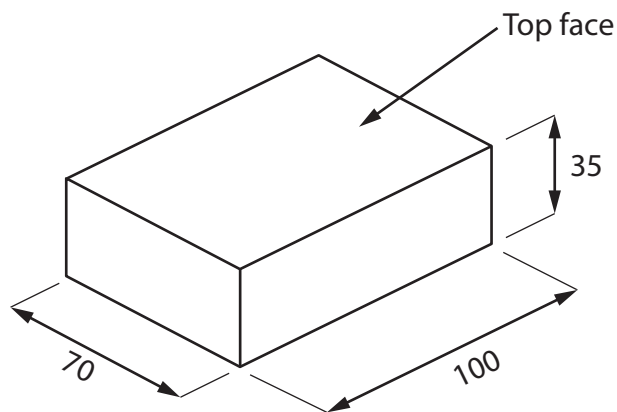
Systems

Answer ALL questions. Write your answers in the spaces provided.

- 5 Figure 8 shows a design solution for a display stand to hold three boxes of chocolates together with some additional information.



Additional information – dimensions of box of chocolates



All dimensions in mm

Figure 8



- (a) The display stand holds three boxes of chocolates and needs to be improved to include the following specification points.

The display stand must:

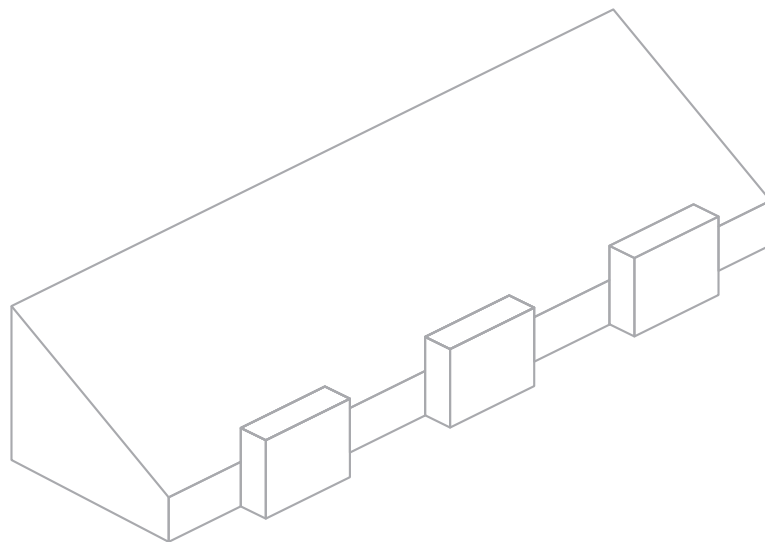
- be able to hold an additional three boxes of chocolates and allow the top face of each individual chocolate box to be seen
- include an electronic method to show the price of a box of chocolates that allows the price to be changed
- be portable so that it can be moved to another place without the chocolate boxes falling off.

Use notes and sketches to show how the display stand could be modified to include these three specification points.

You will be marked on how you apply your understanding of design and technology, not your graphical skills.

Use the outline of the original design solution to show your modifications.

(6)



(b) Figure 9 shows a wooden puzzle that is used to help develop hand-eye coordination in young children.

When the steel ball touches a copper contact, the LED lights up.

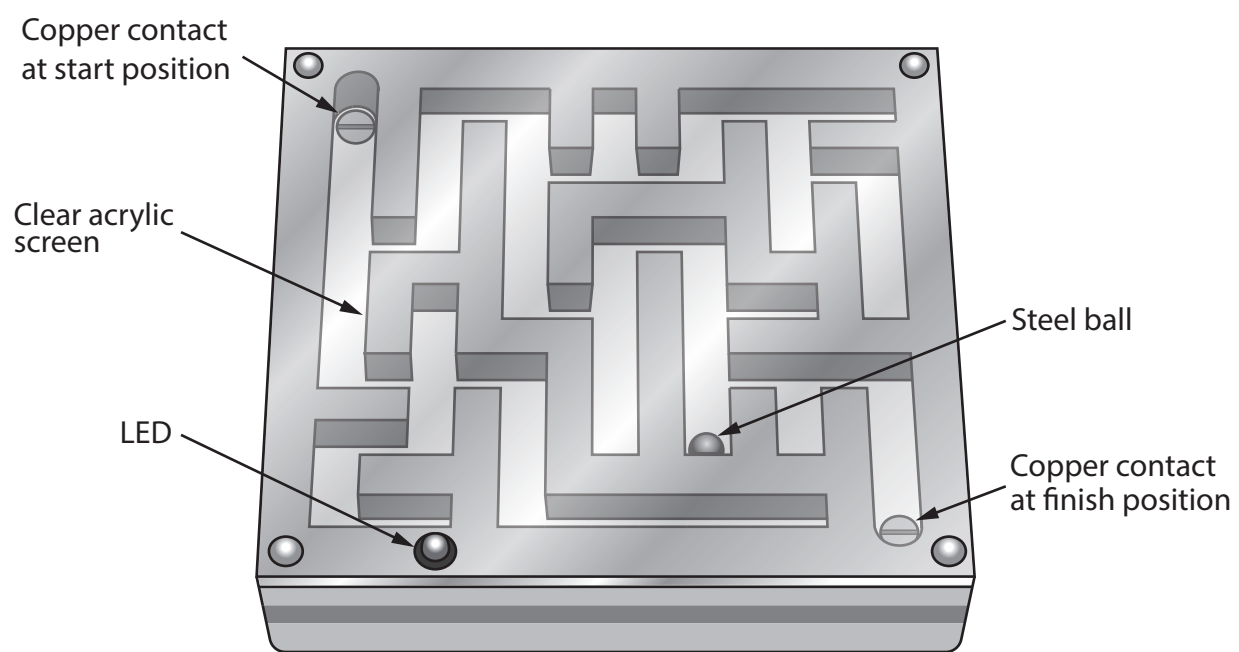


Figure 9

Explain **two** ways that the wooden puzzle meets, or fails to meet, the criterion of providing a method to help develop hand-eye coordination in young children.

(4)

1

.....

.....

.....

2

.....

.....

.....

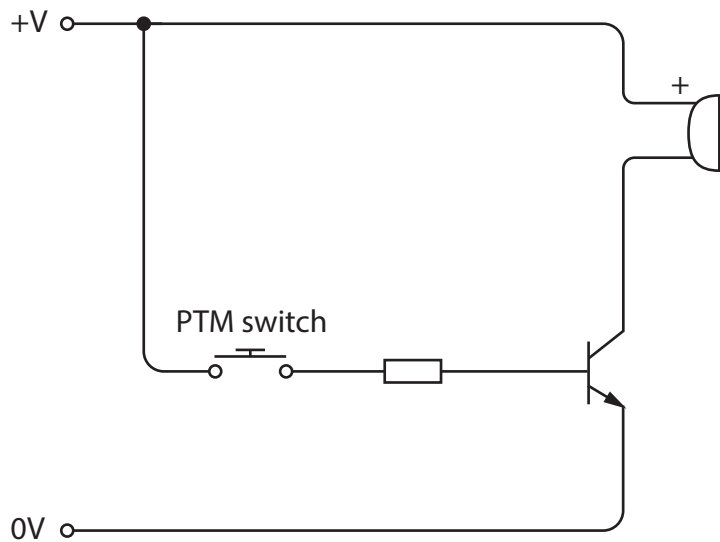
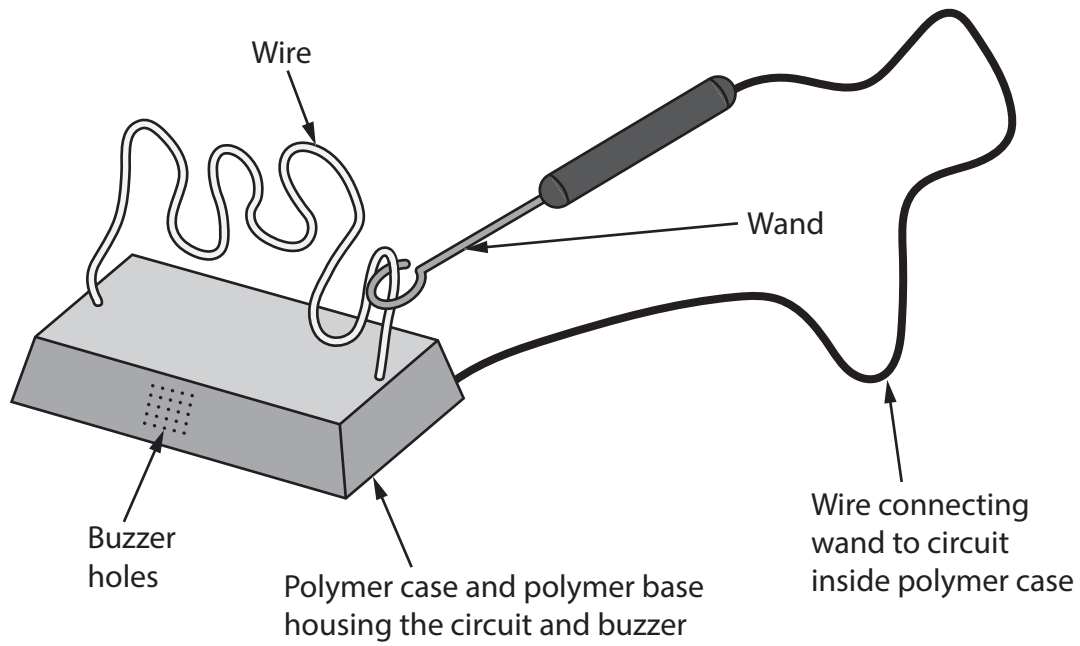
(Total for Question 5 = 10 marks)



DO NOT WRITE IN THIS AREA

6 Figure 10 shows a steady hand game and a circuit diagram.

The push to make (PTM) switch in the circuit diagram represents the wand coming into contact with the wire.



Circuit diagram

Figure 10



(a) Explain **two** benefits of using a buzzer in the circuit for the steady hand game.

(4)

1

.....

.....

2

.....

.....

DO NOT WRITE IN THIS AREA

DO NOT WRITE IN THIS AREA

DO NOT WRITE IN THIS AREA

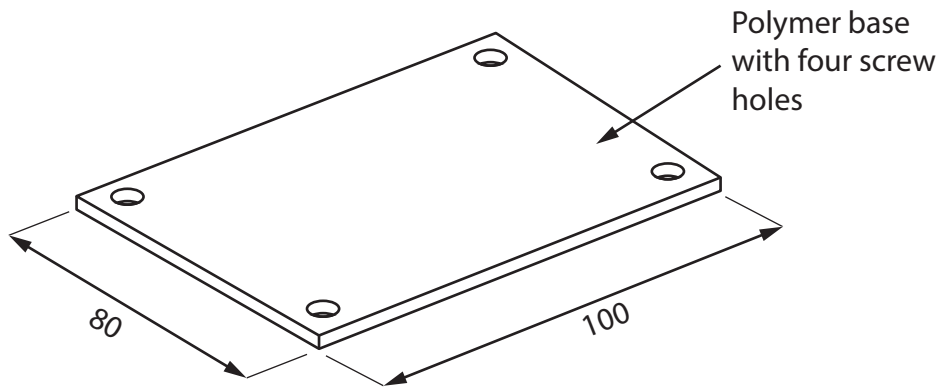


DO NOT WRITE IN THIS AREA

DO NOT WRITE IN THIS AREA

DO NOT WRITE IN THIS AREA

(b) Figure 11 shows the base of the polymer case which has been manufactured from 3 mm thick acrylic.



All dimensions in mm

Figure 11

Use notes and sketches, in the space below, to show how a single polymer base would be cut using a CNC laser cutter.

You will be marked on how you apply your understanding of design and technology, not your graphical skills.

(4)

Blank area for student response.



DO NOT WRITE IN THIS AREA

DO NOT WRITE IN THIS AREA

DO NOT WRITE IN THIS AREA

The steady hand game is supplied with a written instruction booklet that is in colour.

(c) Explain **one** way that the manufacturer can avoid causing offence to potential users of the instruction booklet in different countries.

(2)

.....

.....

.....

.....



DO NOT WRITE IN THIS AREA

DO NOT WRITE IN THIS AREA

DO NOT WRITE IN THIS AREA

Figure 12 shows the inside of the upturned polymer case before holes have been drilled and the base has been attached.

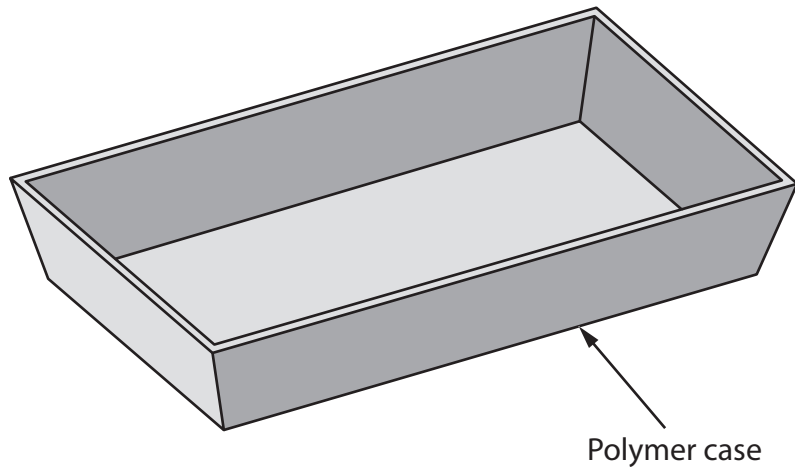


Figure 12

(d) Give **two** different methods that could be used to manufacture the polymer case.
Explain **one** reason for using each manufacturing method.

(6)

Method 1

Explanation

Method 2

Explanation

(Total for Question 6 = 16 marks)



- 7 Figure 13 shows a remote-control toy that is manufactured in a batch of 100 and a tool that is used during assembly of the toy. The aerial is connected to the circuit using insulated wires.

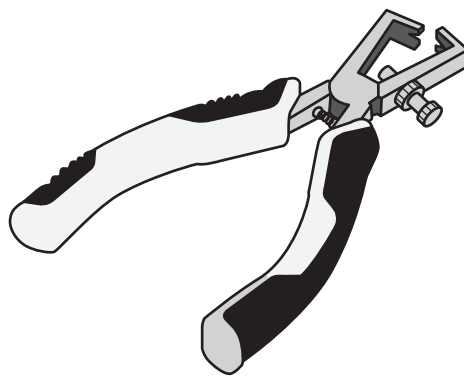
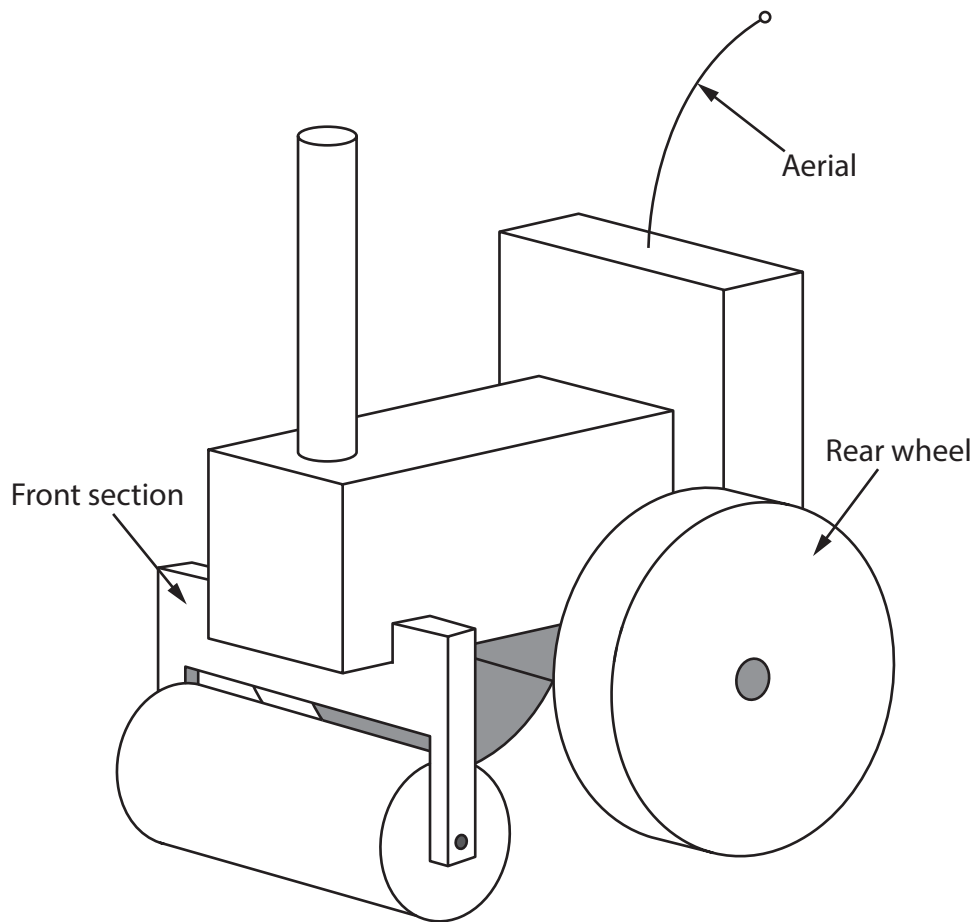


Figure 13

- (a) Name the specific type of tool shown in Figure 13.

(1)

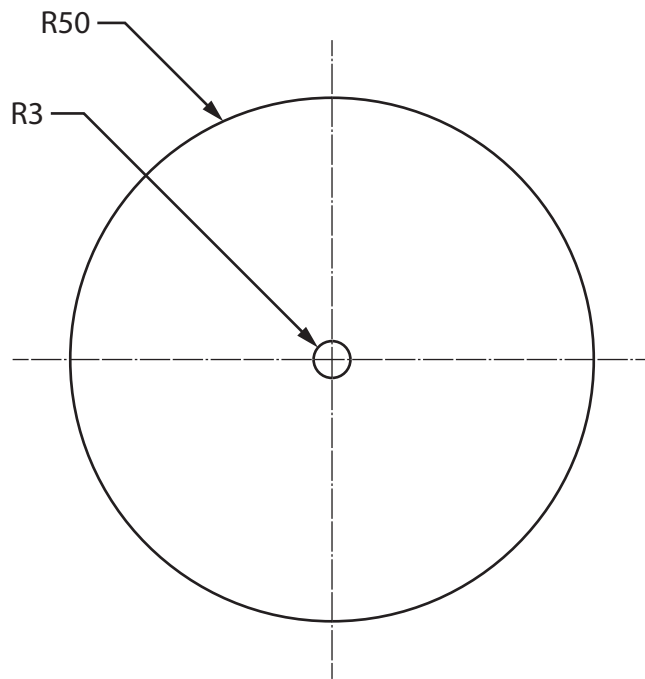


DO NOT WRITE IN THIS AREA

DO NOT WRITE IN THIS AREA

DO NOT WRITE IN THIS AREA

Figure 14 shows the rear wheel of the toy which is to be made from 12 mm thick acrylic using computer-aided manufacturing (CAM).



All dimensions in mm

Figure 14

(b) Explain **two** advantages of using CAM to manufacture the rear wheels of the toy.

(4)

1

.....

.....

.....

2

.....

.....

.....

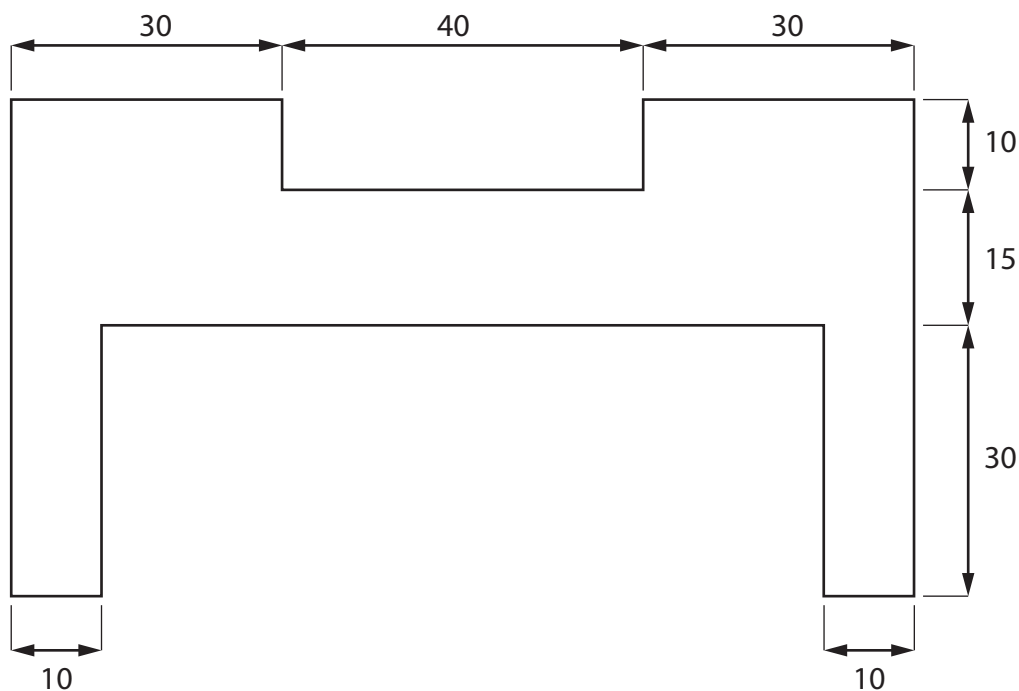


(c) Figure 15 shows a dimensioned drawing of a template for the front section of the toy.

The template will be used to mark out the front section of the toy and will be made from 5 mm thick material.

Produce an isometric drawing of the template on the grid provided.

(5)



All dimensions in mm

Diagram not to scale

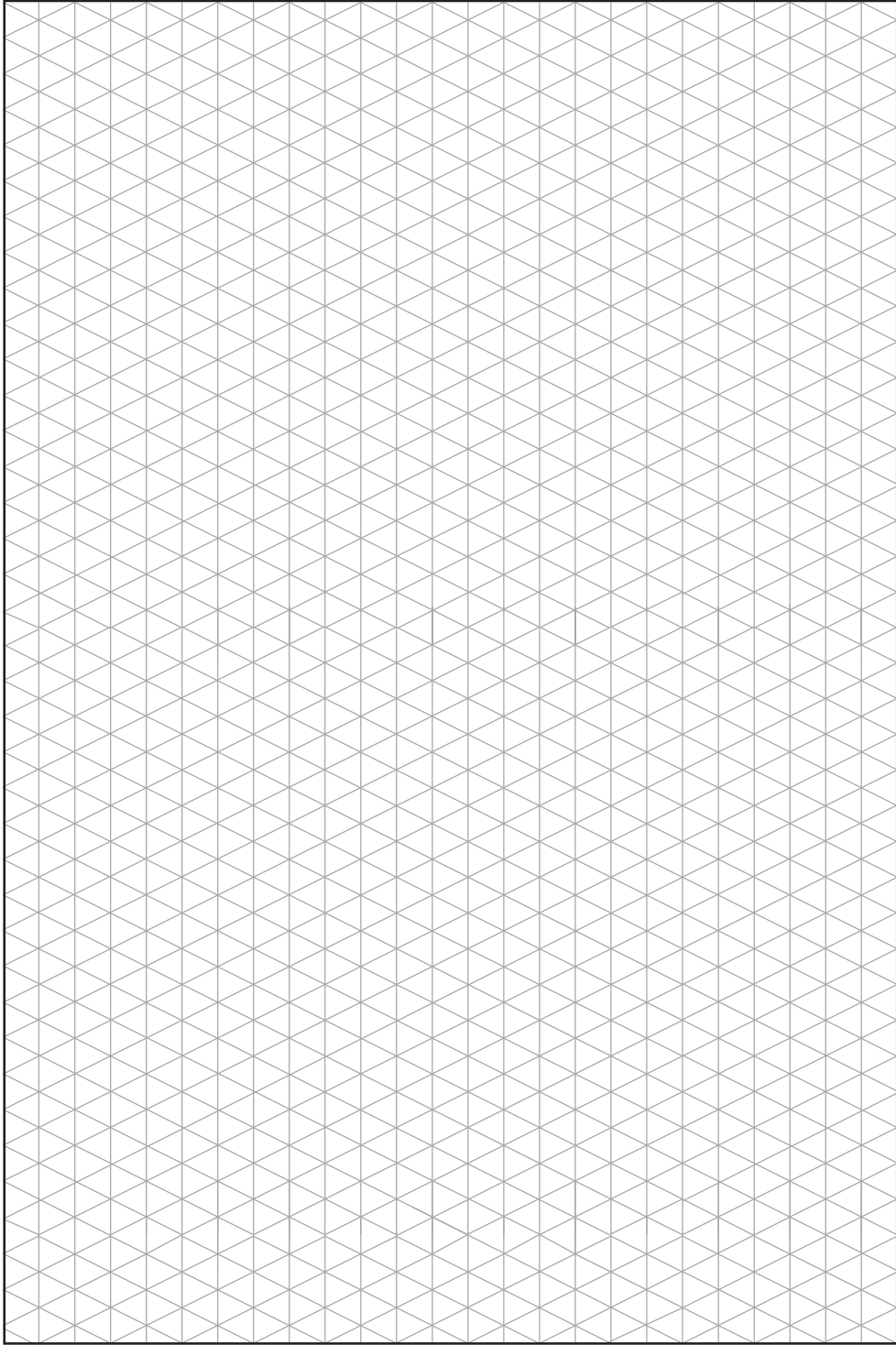
Figure 15



DO NOT WRITE IN THIS AREA

DO NOT WRITE IN THIS AREA

DO NOT WRITE IN THIS AREA



5 mm isometric grid



(d) Explain **two** disadvantages of using a template to mark out the front section of the toy.

(6)

1

.....

.....

.....

.....

.....

2

.....

.....

.....

.....

.....

(Total for Question 7 = 16 marks)



DO NOT WRITE IN THIS AREA

8 Figure 16 shows a wall mounted light and a circuit diagram.

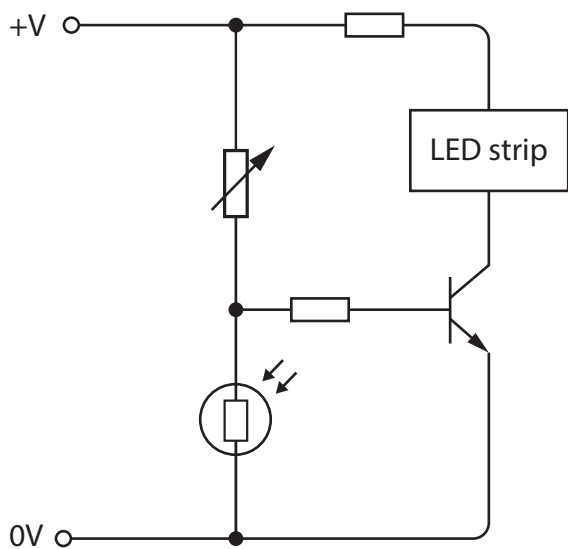
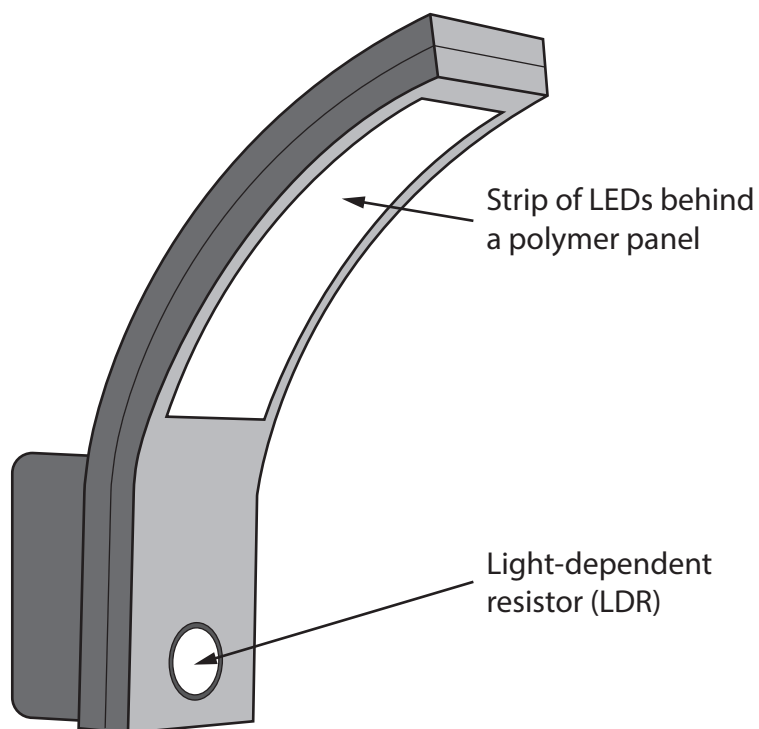


Figure 16



DO NOT WRITE IN THIS AREA

DO NOT WRITE IN THIS AREA

DO NOT WRITE IN THIS AREA

(a) Explain **one** benefit of using a variable resistor in the circuit.

(2)

.....

.....

.....

(b) Explain **one** cost factor that will have been considered when selecting the resistors for the circuit.

(3)

.....

.....

.....

(c) Explain **two** quality control checks that would be carried out on the circuits before they are allowed to leave the factory.

(4)

1

.....

.....

2

.....

.....



(d) The wall mounted light is manufactured in France and sold around the world.

Figure 17 shows some additional information about the wall mounted light.

| | |
|-------------------------------|--|
| Source of components | Taiwan and China |
| Country of manufacture | France |
| Potential market | Schools, housing estates, private homes and other public buildings |
| Scale of production | Batch |

Figure 17

Analyse the information in Figure 17.

Evaluate the wall mounted light with reference to social factors including:

- use for different social groups
- trends / fashion
- popularity.

(9)

.....

.....

.....

.....

.....

.....

.....

.....

.....

.....

.....

.....

.....

.....

.....

.....

.....

.....

.....

.....

.....

.....



DO NOT WRITE IN THIS AREA

DO NOT WRITE IN THIS AREA

DO NOT WRITE IN THIS AREA

(Total for Question 8 = 18 marks)

**TOTAL FOR SECTION B = 60 MARKS
TOTAL FOR PAPER = 100 MARKS**



DO NOT WRITE IN THIS AREA

DO NOT WRITE IN THIS AREA

DO NOT WRITE IN THIS AREA

BLANK PAGE



P 7 1 5 9 0 A 0 3 1 3 2

DO NOT WRITE IN THIS AREA

DO NOT WRITE IN THIS AREA

DO NOT WRITE IN THIS AREA

BLANK PAGE

